

**Flush Casement 2  
with External sill**

TITLE

DRAWING No.

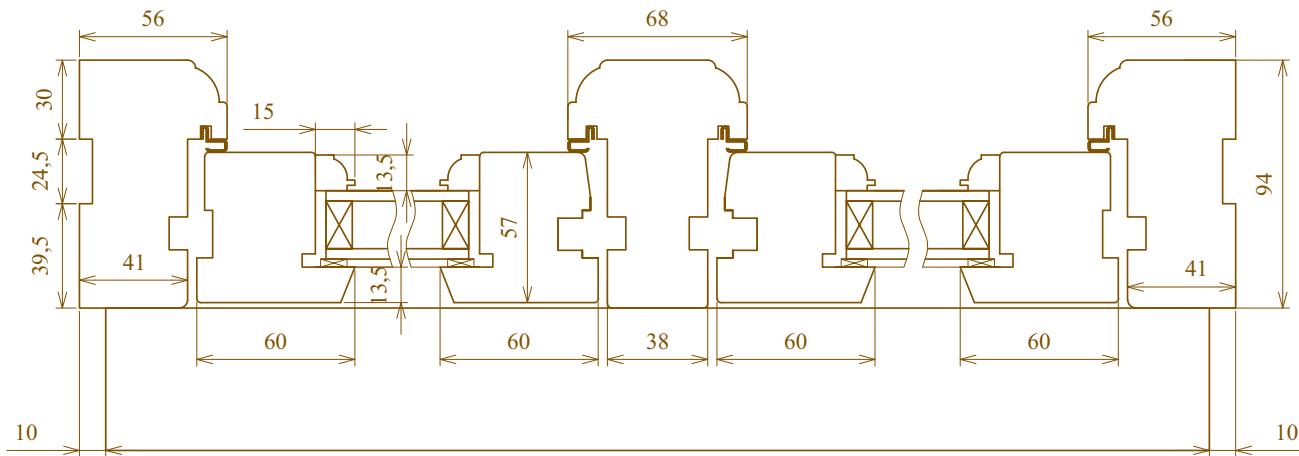
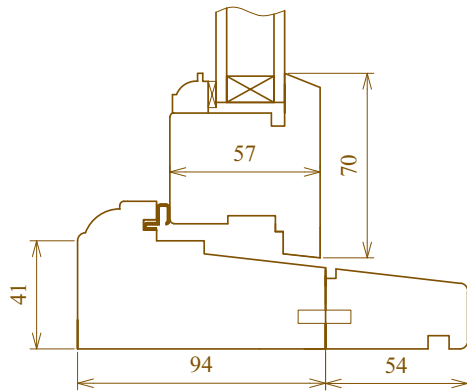
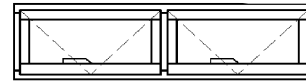
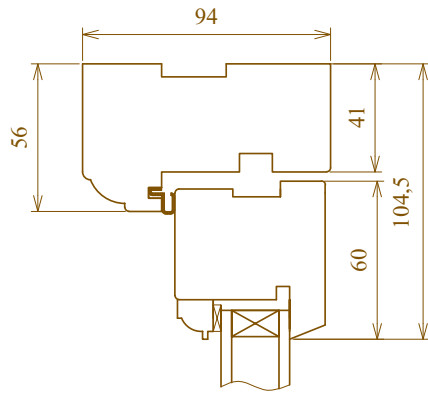
DATE

2020/06/06

SCALE

@ A4

CONSTRUCTION DETAILS



42 Dulverton Road  
LONDON, SE9 3RL  
UNITED KINGDOM  
[info@woodyman.co.uk](mailto:info@woodyman.co.uk)  
mob: 07811431661

[www.woodyman.co.uk](http://www.woodyman.co.uk)

