

PRODUCT TYPE

FLUSH CASEMENT 1
BOTH SIDE OPEN

TITLE

SECTIONS

DRAWING No.

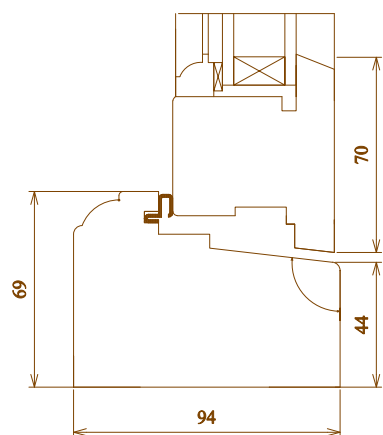
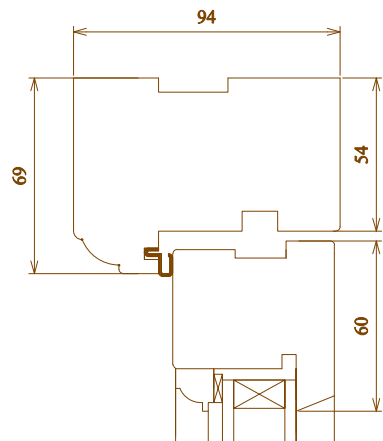
DATE

2021/01/24

SCALE

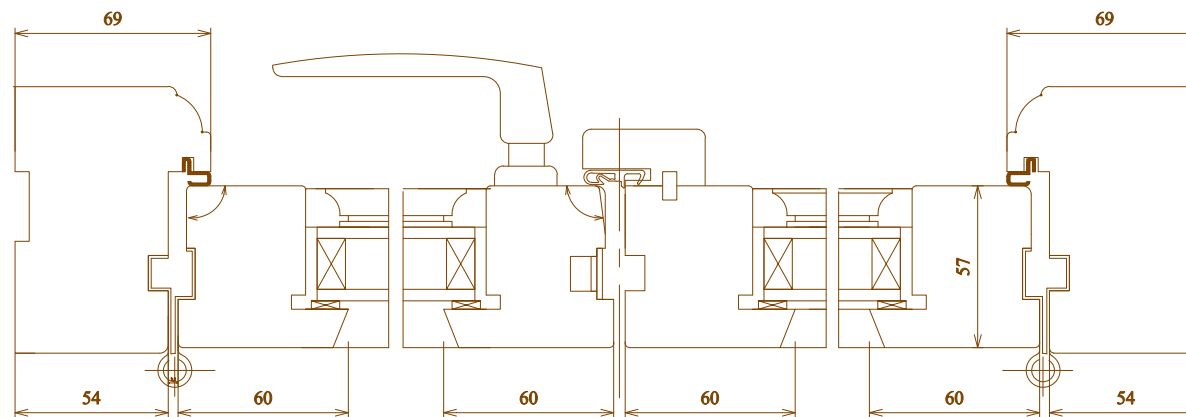
@ A4

CONSTRUCTION DETAILS



VERTICAL SECTION M1:2

OUT SIDE



PRIMARY SASH

OUT SIDE

SECONDARY SASH

HORIZONTAL SECTION M1:2

42 Dulverton Road
LONDON, SE9 3RL
UNITED KINGDOM
info@woodyman.co.uk
mob: 07811431661

www.woodyman.co.uk

